

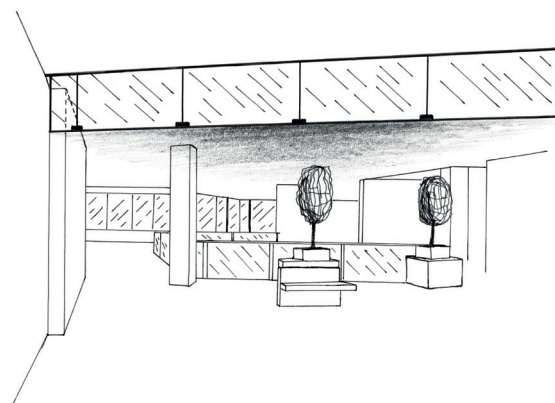


SMOKEbarrier SG

GLASS STATIC SMOKE BARRIER



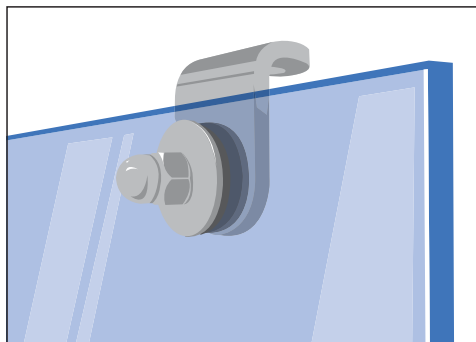
FIRE RESISTANCE CLASSIFICATION:
D 120 or DH 30



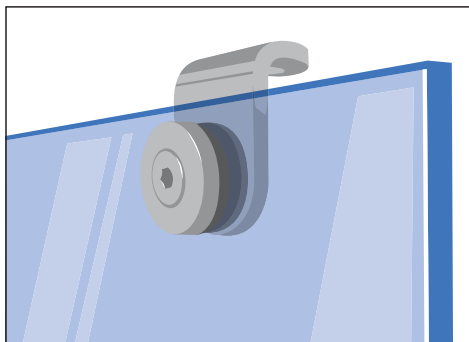
PRODUCT DESCRIPTION

- > Small space requirements, the design of the barrier enables assembly without any additional special structures, fixed between concrete, masonry or steel profiles.
- > Glass sheets can be connected in line, creating an unlimited length of the barriers.
- > Relatively low weight 15 kg/m².
- > Special clear fire resistant glass 6 mm thick.
- > Max. dimensions of glass sheet (W × H):
 - » 2 500 × 1 800 mm (resistance D 120)
 - » 2 000 × 1 100 mm and 1 000 × 1 600 mm (resistance DH 30)
- > All visible steel components are made in stainless steel.

ANCHOR ELEMENTS:



Option ECO



Option DESIGN



DESIGN



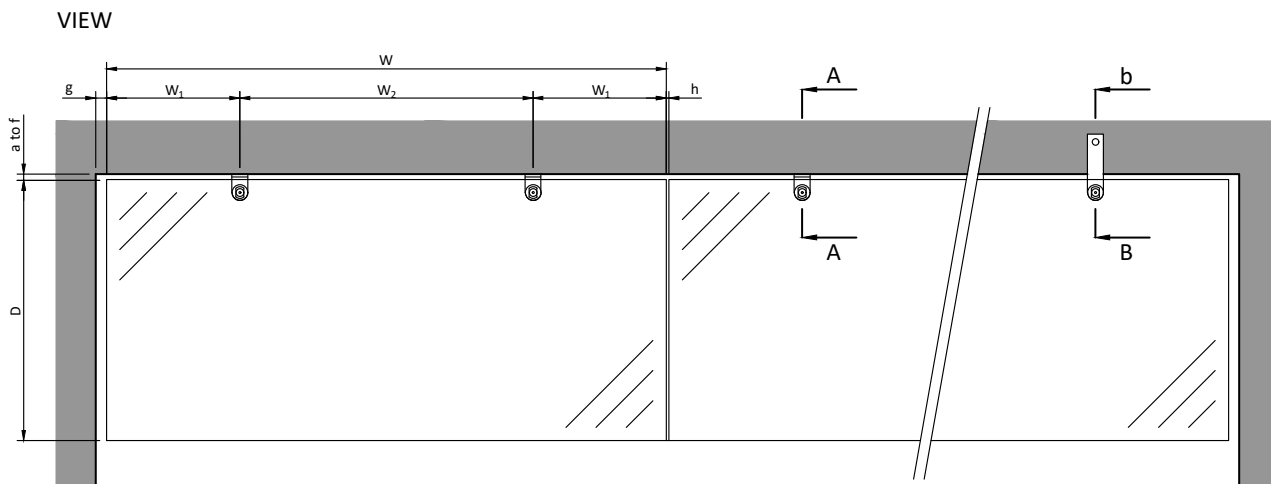
CERTIFICATION

Smoke barrier **SMOKEbarrier SG** has been successfully tested in fire testing centre Efectis – France, classified as per EN 12101-1, and covered by CE certificate No. 0336-CPR-5064-E/06. / For more information, contact: projekce@avaps.cz

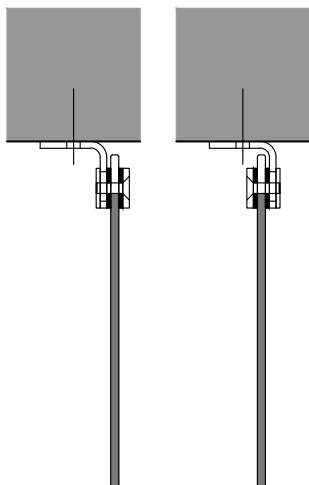
Manufacturer issues declaration of performance for individual orders in compliance with Regulation of the European Parliament and Council (EU) No. 305/2011.



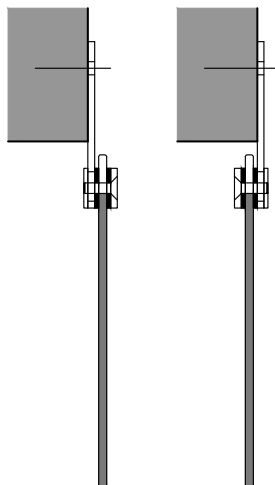
TECHNICAL INFORMATION



TYPICAL SECTION A



TYPICAL SECTION B



		Resistance D120	Resistance DH30	
			Var. A	Var. B
Dimensions (mm)	W	≤ 2500 mm	≤ 2000 mm	≤ 1000 mm
	D	≤ 1800 mm	≤ 1100 mm	≤ 1600mm
	W ₁	≥ 100 mm ≤ 350 mm	≥ 100 mm ≤ 350 mm	≥ 100 mm ≤ 250 mm
	W ₂	≤ 1800 mm	≤ 1300 mm	≤ 500 mm
	a to f	10 mm	10 mm	
	g	20 mm	20 mm	
	h	5 mm	5 mm	

This drawing and copyright belong to AVAPS s.r.o. Do not copy without AVAPS s.r.o. authorisation.

MAINTENANCE AND REPAIR SERVICES

We provide professional warranty and post-warranty service and revisions according to applicable laws for all our products.

Contact: +420 777 911 770 / service@avaps.eu

